

SNO-WAY[®]
SNOW & ICE CONTROL EQUIPMENT

SPREADERS

HOME OF INNOVATION[™]



**STRONGER
SMARTER
BETTER**[™]
THROUGH INNOVATION



Sno-Way has an ice control product to fit your needs! Large or small, Sno-Way's Revolutionary Spreaders are built to perform. Each Sno-Way spreader offers unique, productivity-enhanced features not found on competitive products. Features that help you get your job done fast and efficiently. No other spreader can provide you as much control of the spread material as a Sno-Way spreader.

CHOOSING THE RIGHT SPREADER For Your Application.

4/6/9-CU. FT. SPREADER

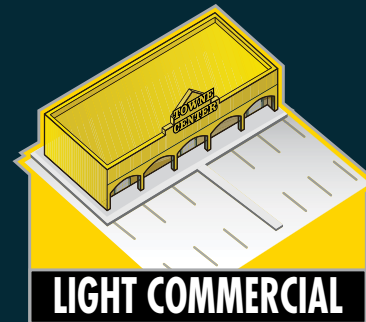


4-CU. FT.



9-CU. FT.

Fits any truck with a 2" receiver



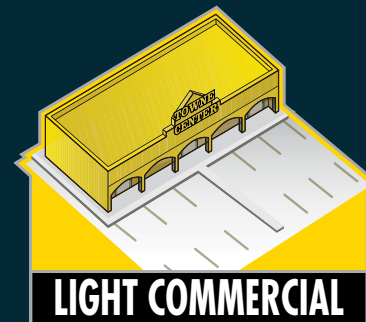
When the white stuff falls, whether you plow one driveway or are in it to make some green, Sno-Way has the right spreader for your vehicle.

REVOLUTION V-BOX SPREADER



RVB10

Model RVB10
For use with UTV and trucks



When the white stuff falls, whether you plow one driveway or are in it to make some green, Sno-Way has the right spreader for your vehicle.

REVOLUTION V-BOX SPREADERS



RVB2500 Shown with optional
16" Chute and Poly Vinyl Tarp

Models RVB500 | 750 | 1500 | 2000
2500 | 3000 | 3500 | 4300



You're serious about snow and ice control and at the top of your game. You have a full hard-working crew who know how to move and remove snow and ice efficiently. By using the RVBs and plow you take care of all jobs big and small.

SPREADER MATERIAL GUIDE

Always follow the recommended application directions for spreader materials.



SODIUM CHLORIDE

Rock Salt

Recommended For Use With:

- All Spreaders

CALCIUM CHLORIDE

Flake

Recommended For Use With:

- All Spreaders

BAGGED ICE MELTERS

Free Flowing

Recommended For Use With:

- All Spreaders

Recommended For Use With:

- All Revolution V-Box Spreaders



SAND

Wet or Dry

PEA GRAVEL

50/50 SALT SAND

BULK SALT

Wet or Dry

MAGIC SALT

- Spread materials can attract moisture and freeze, resulting in equipment damage. Always clean and empty all ice control material from the spreader when not in use.
- Always match spreader gross weight capacities with the vehicle GVWR specifications.

- Bagged ice melters and calcium chloride are hygroscopic (attract moisture) and may become compacted when loaded into Sno-Way tailgate spreaders. The use of a vibrator kit may be required with these spread materials.
- This chart is a GENERAL guideline. Always follow the recommended application directions for spread materials.

- Material must be free-flowing to work in the tailgate spreaders. If material is not free-flowing, replace it.



Shown with 6-Cu.-Ft. Spreader

SELECTING Your Sno-Way® Tailgate Spreader

REVIEW SPREADERS

Review all Sno-Way spreader models.

SPREADER MATERIAL

Sno-Way spreaders are built to spread a variety of deicing material.

CHOOSE SPREADER

With your application vehicle, spread material and coverage in mind, choose the right spreader for your job site needs.

CHOOSE CONTROL

Choose wired or wireless variable speed control for your tailgate spreader. If you have a Sno-Way Plow with a Pro Control II or Pro Control 2 Plus you can use that control to operate your tailgate spreader.

CHOOSE ACCESSORIES

Sno-Way's productivity-enhancing accessories help you get your deicing job done fast! See page 15 for available spreader options.

VARIABLE SPEED CONTROL

Sno-Way's Variable Speed Control for tailgate spreaders is packed with features that help you get the job done on time and at the right cost. Efficiency is the key when spreading salt, and a superior control is the secret to greater efficiency. The Variable Speed Control has an ergonomic design that allows for simple usage in your right or left hand. Action buttons are all within simple reach, and intuitive so you can be in control without even looking at the control.



The Variable Speed Control is available in a wired or wireless configuration – your choice depending on operator and vehicle variables. Features include solid construction, simple speed control with lit speed indicators, and push button control to turn the vibrator on and off.

If you already own a Sno-Way plow with a Pro Control II, or Pro Control 2 Plus you do not need another control, either of these will control both your spreader and plow.

Approximate

SPREADER	40 Lb. Bag	80 Lb. Bag
4 CU.FT.	7.5 Bags	3.5 Bags
6 CU.FT.	11.0 Bags	5.5 Bags
9 CU.FT.	16.5 Bags	8.5 Bags

>> Choose wired or wireless variable speed controller to use with your tailgate spreader.



Move it
SNO-WAY®

Visit snoway.com for video, updates and so much more.

4-CU.-FT. SPREADER

Ideal for treating sidewalks, driveways and small parking lots, the Sno-Way 4-Cu.-Ft. Tailgate Spreader is the smart solution for small to midsize deicing applications.

The Sno-Way 4 delivers an all-new performance level to tailgate salt spreading. No other spreader in its class can match the simplicity of its design, ease of use or rugged construction. At an empty weight of just 95 pounds, the Sno-Way 4 is perfect for single operator handling. The integrated wheels and tapered Class III hitch make attaching the spreader a snap.



>> Easy portability for single person installation

RECEIVER SPREADER	Sno-Way 4
Spreader Capacity	4-Cu.-Ft.
Weight Empty	95 lbs.
Height	34"
Width	38"
Depth	25.75"
Motor (1/3 HP 12V Electric DC - Double Sealed)	1/3 HP
Spinner - 4 Flights (High Grade Polyethylene)	12" Diameter

SNO-WAY 4-CU.-FT. SPREADERS REQUIRE A CLASS III RECEIVER HITCH FOR APPLICATION TO A VEHICLE

ALWAYS REMEMBER TO TAKE INTO CONSIDERATION SPREADER GROSS WEIGHT CAPACITIES WITH THE VEHICLE GVWR SPECIFICATIONS



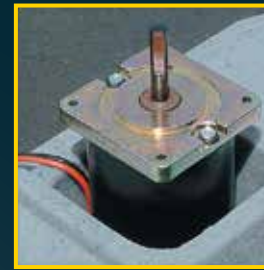
SODIUM CHLORIDE
Rock Salt



CALCIUM CHLORIDE
Flake



BAGGED ICE MELTERS
Free Flowing



Fully Encapsulated 12V Electric Motor

Sno-Way's 4 tailgate spreader uses a 1/3 HP 12V DC electric motor that is separated from the hopper interior and isolated from the exterior of the spreader. This feature protects the motor from corrosive spread material and inclement weather. The motor components are also specially coated for added corrosion resistance.



Impact Resistant Nylon Roller Wheels

All Sno-Way's 4 tailgate spreaders have integrated roller wheels for fast and easy portability. Forget bulky storage carts, Sno-Way provides you built-in mobility to move your spreader with ease. Unlike competitor's tailgate spreaders, Sno-Way's 4 can be easily mounted and removed from the truck by only one operator.



Standard Class III Tapered Receiver Hitch

All Sno-Way tailgate spreader models include a standard Class III tapered hitch. The square tube has an angled face for easy insertion into the receiver on the truck and two adjustment holes to accommodate deeper locking points. All hitches include a 5/8" diameter bent arm hole pin and spring pin lock.



Enclosed Belt Reduction Drive Assembly

The belt reduction drive assembly transfers power from the electric motor to the spinner. Positioned in the center of the spreader and protected with a durable poly cover, the assembly is fully sealed from the elements and separated from corrosive spread material in the hopper. The belt drive tension is easy to adjust on this low maintenance spreader.

Optional Flood Light
(SEE ACCESSORIES - PG. 15)

Optional Vibrator Motor
(SEE ACCESSORIES - PG. 15)

>> Choose wired or wireless variable speed controller to use with your tailgate spreader.



EASY SALT LOADING



EASY HITCH INSTALL

SPREADER FEATURES

- 1 - Fully Enclosed Belt Reduction Drive
- 2 - Fully Adjustable Flow Control Paddles
- 3 - Impact Resistant Nylon Roller Wheels
- 4 - Sealed Electric Motor
- 5 - Polyethylene Hopper Construction
- 6 - Automotive E-Coat Primer and Military Grade Powder Coat Finish
- 7 - Tapered Receiver Hitch (Class III)
- 8 - Vinyl Safety Labels
- 9 - Built-In Handles
- 10 - High Grade Polyethylene 12" Diameter Spinner
- 11 - External Stainless Steel Hardware
- 12 - Dual Flip-Up Hopper Lids
- 13 - UV Resistant Dual Wall Hopper



Exclusive Chunk Buster™ Salt Breakup System

More effective than an auger system, Sno-Way's exclusive Chunk Buster™ salt breakup system uses an inverted pyramid of bolts to easily crush salt clusters.

Move it
SNO-WAY®

Visit snoway.com for video, updates and so much more.

6/9-CU.-FT. SPREADERS

When you require more salt spreading capacity for larger driveways, access roads or parking lots, look for Sno-Way 6 and 9-Cu.-Ft. Tailgate Spreaders to deliver. These high-capacity receiver-mount spreaders provide durability and spreading precision that are second to none.

The Sno-Way 6 and its big brother Sno-Way 9 – share the same solid features you expect in a Sno-Way spreader: Poly hopper construction, powder-coated steel frame, form-fitting poly lid, 12V electric motor and a simple belt drive. The integrated wheels and tapered Class III hitch make handling and attaching these spreaders a snap.



»» Easy portability for single person installation

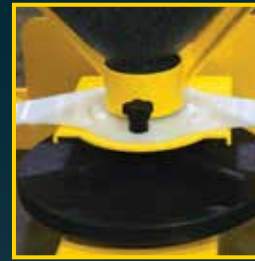
RECEIVER SPREADER	Sno-Way 6	Sno-Way 9
Spreader Capacity	6-Cu.-Ft.	9-Cu.-Ft.
Weight Empty	115 lbs.	140 lbs.
Height	43"	46"
Width	40"	43"
Depth	20"	24"
Motor (12V Electric DC - High Rear Mount)	1/3 HP	1/3 HP
Spinner - 4 Flights (High Grade Polyethylene)	12" Diameter	12" Diameter

SNO-WAY 6/9-CU.-FT. SPREADERS REQUIRE A CLASS III RECEIVER HITCH FOR APPLICATION TO A VEHICLE

ALWAYS REMEMBER TO TAKE INTO CONSIDERATION SPREADER GROSS WEIGHT CAPACITIES WITH THE VEHICLE GVWR SPECIFICATIONS



»» Choose wired or wireless variable speed controller to use with your tailgate spreader.



Fully Adjustable Directional Flow Control Paddles

Sno-Way's exclusive directional flow control paddles can be adjusted to completely shut-off spread material or fully opened for maximum flow. The paddles also direct the spread pattern. From zero to 180 degrees, you can direct the spread pattern at any angle without wasting expensive materials.



Standard Class III Tapered Receiver Hitch

All Sno-Way tailgate spreader models include a standard Class III tapered hitch. The square tube has an angled face for easy insertion into the receiver on the truck and two adjustment holes to accommodate deeper locking points. All hitches include a 5/8" diameter bent arm hole pin and spring pin lock.



Form-Fitting Poly Lid and Safety Retainer Strap

Sno-Way 6 and 9 tailgate spreaders each have a large, form-fitting polyethylene lid to keep moisture out of the hopper and away from the spread material. The lid is easily secured using two rubber T-handle latches and – as a safety feature – a standard nylon retainer strap keeps the lid attached to the hopper at all times.



Elevated Belt Reduction Drive Assembly

All Sno-Way tailgate spreaders use a simple belt reduction drive assembly to transfer power from the electric motor to the spinner. The assembly is protected by a heavy-duty cover and mounted high away from the spread material (Sno-Way 6 and 9 only). Conveniently located, the belt drive tension can be adjusted easily and any maintenance is a snap!



High-Mount External 12V Electric Motor

Sno-Way 6 & 9 tailgate spreaders use a 1/3-HP, 12V DC electric motor to power the spinner. The sealed motor is mounted outside the hopper and nearly 3' above the spinner. Weatherproof electrical connectors and sturdy 10 gauge wire connect the motor to the controls.

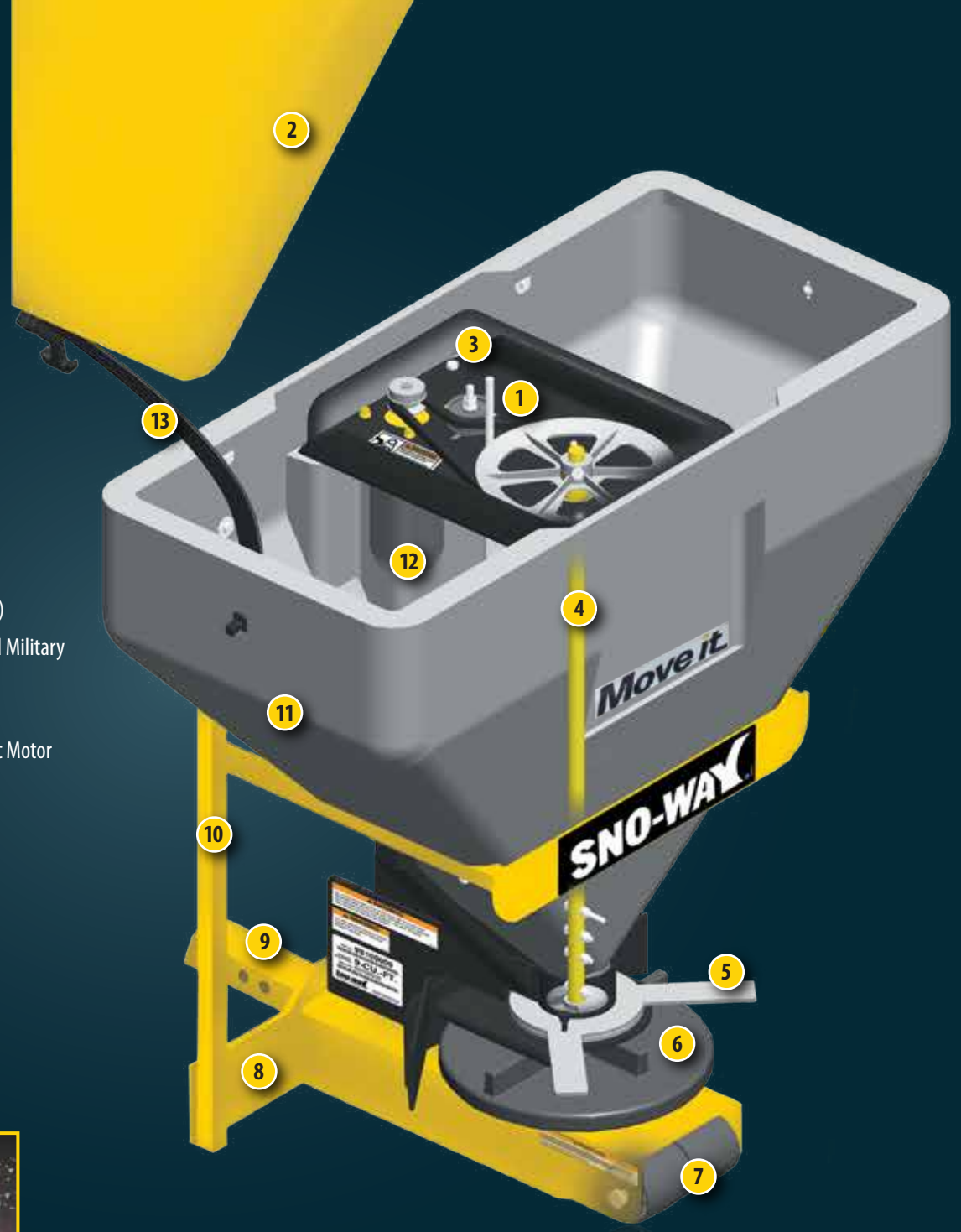
Optional Flood Light
[SEE ACCESSORIES - PG. 15]

Optional Vibrator Motor
[SEE ACCESSORIES - PG. 15]



SPREADER FEATURES

- 1 - Enclosed Belt Reduction Drive Under Cover
- 2 - Form Fitting Poly Hopper Lid with Retainer Strap
- 3 - Stainless Steel Hardware
- 4 - Exclusive Chunk Buster™ Salt Breakup System
- 5 - Fully Adjustable Directional Flow Control Paddles
- 6 - High Grade Polyethylene 12" Diameter Spinner
- 7 - Impact Resistant Nylon Roller Wheels
- 8 - Self-Standing Steel Frame
- 9 - Tapered Receiver Hitch (Class III)
- 10 - Automotive E-Coat Primer and Military Grade Powder Coat Finish
- 11 - UV Resistant Poly Hopper
- 12 - High Exterior Mounted Electric Motor
- 13 - Retainer Strap



Chunk Buster™ Salt Breakup System

The spinner drive shaft uses protruding bolts to breakup salt clusters before spreading. The design keeps salt flowing uniformly & prevents clogging.



SODIUM CHLORIDE
Rock Salt



CALCIUM CHLORIDE
Flake



BAGGED ICE MELTERS
Free Flowing

Move it.
SNO-WAY

Visit snoway.com for video, updates and so much more.

REVOLUTION V-BOX SPREADERS

RVB10 | 500 | 750 | 1500 | 2000 | 2500 | 3000 | 3500 | 4300

The Poly Dual Electric RVB spreaders are built for the professional snow and ice removal specialist. The Revolution Spreader line uses a heavy duty electric motor, direct drive gear box to run the auger and a 1/3 horsepower electric motor, direct drive gear box to run the spinner. The Poly Hopper is mounted on an E-Coated and then Powder Coated custom frame and drive support to give you a spreader that will provide you years of service. Sno-Way is known for having the best spread pattern in the industry, and the Sno-Way RVB spreaders will NOT disappoint.



RVB2500 Shown with optional 16" Chute and Poly Vinyl Tarp

A .5 Cubic Yard Extension Kit is available for RVB2500

RVB500 Shown with optional 16" Chute

SPREADER FEATURES

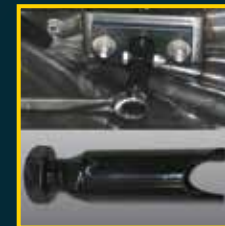
- » The Revolution V-Box family has a roto molded perimeter with ribbed hopper, supported by a custom frame and drive support.
- » The easy on/off stainless steel and roto molded chute has a 16" four flute poly spinner to provide you long life and superior spread pattern up to 30'. Available in 16" short chute or 29" long chute. Choose one to go with your RVB Spreader (chute not included with spreader).
- » RVB10 | 500 | 750 | 1500 | 2000 | 2500 | 3000 have a 1/2 horsepower direct drive gear box for the auger and 1/3 horsepower spinner motor, they are fully enclosed so that water and salt do not penetrate.
- » RVB 3500 and 4300 have a .6 horsepower direct drive gear box for the auger and a 1/3 horsepower spinner motor, they are fully enclosed so that water and salt do not penetrate.



JAM RELEASE MECHANISM

(FOR USE UP TO AND INCLUDING THE RVB2500)

Jams can happen, even with the best spreaders. This device is a life saver keeping you from digging out the hopper. Simply insert this into the end of the Auger Shaft and the use of a simple ratchet wrench and you are back in business. For use on the RVB spreaders.



- » The inside of the poly hopper walls are designed for maximum flow of the toughest materials to minimize material bridging.
- » One harness supplies all of the power from the battery to the hopper, with a water-tight Duetsch connector and seal to connect them. The harness is plug and play for accessories. No cutting or splicing.
- » Adjustable inverted vee. Adjust the inverted vee system to match the material you want to spread. Inverted vee not available on RVB10 or RVB500.
- » Optional Wetting System with Filling Station available:
 - RVB500 | 750 | 1500 | 2000 | 2500 | 3000 accepts 2 tanks
 - RVB3500 | 4300 accepts up to 6 tanks.
- » Frame and drive support are a steel frame, E-Coat primer and military grade powder coat.
- » Drop Spreader Hood available for RVB10 and RVB500 (see page 13 for more details).



RVB4300 Shown with optional 16" Chute



RVB3500 Shown with optional 16" Chute

.8 Cubic Yard Extension Kit is available for RVB3500

CAN USE

- » Sodium chloride
- » Calcium chloride
- » Bagged ice melters
- » Bulk salt – wet or dry
- » 50/50 salt sand
- » Sand – wet or dry
- » Pea gravel
- » Magic salt

Always follow recommended application for spreader materials.

» See snoway.com for spreading videos and new spreading materials.

Move it
SNO-WAY®

Visit snoway.com for video, updates and so much more.

RS CONTROL

The intuitive design of the control allows the professional snow and ice removal expert to gain an advantage over competitor's units. Contractors that use the Revolution V-Box spreaders along with the RS control are able to save time, reduce wasted material and get the job done with greater profit.



RS CONTROL Allows you to adjust auger and spinner speed independently using pinwheels to increase or decrease speed of the auger or spinner.

RS CONTROL Has:

- » Push Button to: turn on/off vibrator or vibrators
- » Turn on/off optional light
- » Turn on/off optional wetting system
- » All functions can be controlled in Auto Mode

RS CONTROL Revolutionary CONSTANT DRIVE FEATURE Maintains auger speed and spinner speed to control your output as material loads change on the auger or spinner. Comparable to how the cruise control works on your truck. This system works as a flow control to maintain your set output.

RS CONTROL Revolutionary AUTO MODE SETTING Allows the vibrators to cycle on and off when needed. The system monitors the auger to make sure material is flowing through the auger, therefore when the vibrators are needed the system will turn them on, when the auger is flowing the correct amount of material the system will turn the vibrators off. Auto Mode works with the wetting system, it will maintain a predetermined flow rate, if you increase or decrease the auger speed the control will increase or decrease the amount of liquid flowing to the spinner.

All the operator has to do is drive the truck; the control will handle all the functions that are placed in the auto mode.

*All wiring for all accessories is in the harness that is located on the back of the spreader. It only needs to be plugged in to become functional. Four eighteen gauge wires with a connector that is assembled after the wire is fed through a 3/8" hole.

RS CONTROL FEATURES

- » Simple buttons and controls
- » Easy to use and understand
- » Increase/decrease auger independently
- » Increase/decrease spinner independently
- » Turn on and off
- » Turn light on and off (auxiliary light is optional on RVB line)
- » Turn on and off wetting system (wetting system optional on RVB line)
- » Turn on and off vibrator
- » Pause button allows you to pause all functions and resume all functions
- » Auto mode feature
- » Well lit LCD screen with auger and spinner graph display
- » Reversing Function

SALT WETTING SYSTEM

CAN USE

- » Salt Brine
- » Calcium Chloride Brine
- » Premium Branded Liquids



FEATURES

- » Custom designed fit to the Sno-Way RVB Spreaders
- » RVB 1500 | 2000 | 2500 | 3000 accepts two 30 gallon tanks supported by E-Coated then powder coated stainless steel frame
- » RVB 3500 | 4300 accepts up to six 24 gallon tanks supported by E-coated then powder coated steel brackets
- » 12 Volt DC Motor
- » Can use on/off switch OR RS control that handles all spreader controls
- » Quick disconnect couplers for easy use on spreader chute
- » Accelerates melting process and reduces amount of salt needed
- » Tanks are marked with volume levels
- » 2 GPM Pump (Output varies depending on control-on/off 1 GPM-RS control varies upon spreader output)
- » Quick attach pump fitting for Easy Maintenance

SWS FILLING STATION

(Optional Accessory)

- » Refill your Salt Wetting System tank using the Sno-Way optional SWS Filling Station
- » Plug the pump into a 120 Volt AC outlet, attach the hose to your liquid and turn on the pump
- » Tanks fill at a top rate of 5 gallons per minute, filler cap included.



Tanks fill quickly and you are ready to make more money, and no back breaking work to get it done.

DROP SPREADER HOOD

For RVB10 and RVB500 (Optional Accessory)

Sno-Way innovation has designed a system that allows you to use your RVB10 or RVB500 as a broadcast spreader or a drop spreader. Use the Sno-Way exclusive Drop Spreader Hood and attach it to your spreader chute. It gives you a 30"-60" spread. This easy on/off hood allows you to convert your spreader from broadcast spreader to a drop spreader and back again in less than a minute, with no tools. When used as a broadcast spreader, the hood stores easily on built-in carrier. Made of high density polyethylene to hold up to harsh winter elements.



DROP SPREADER HOOD FEATURES

- » Converts your RVB10 or RVB500 from broadcast spreader to drop spreader
- » No tools needed for easy attachment to spreader chute
- » Provides a 30"-60" spread
- » Hood stores easily on built-in carrier when used as a broadcast spreader
- » Made of high density polyethylene to hold up to harsh winter elements
- » For use only on the short chute of the RVB10 or RVB500

RVB SERIES COVER



Ideal for protecting the material in the hopper. This Roll Back Retain in Place Cover is a retractable cover that is integrated into the hopper, the cover rolls up and is stowed on the spreader. The cover is durable, reinforced vinyl, has industrial-strength hem stitching, reinforced corner seams and grommets and includes shock cords. Available for all RVB models.

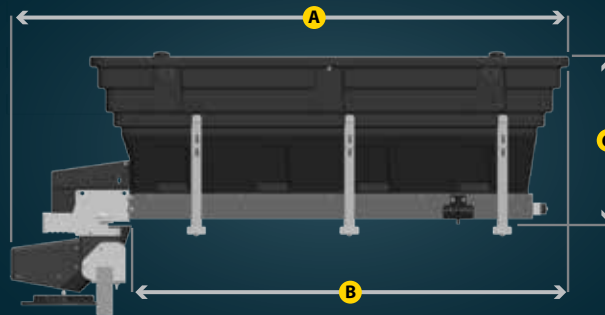
Move it
SNO-WAY®

Visit snoway.com for video, updates and so much more.

REVOLUTION V-BOX SPREADER FAMILY

SPREADER	RVB10	RVB500	RVB750	RVB1500	RVB2000	RVB2500	RVB3000	RVB3500	RVB4300
Capacity	10 Cubic Feet	1/2 Cubic Yard	3/4 Cubic Yard	1-1/2 Cubic Yard	2 Cubic Yard	2-1/2 Cubic Yard	3 Cubic Yard	3-1/2 Cubic Yard	4.3 Cubic Yard
Empty Weight	185 lbs.	215 lbs.	244 lbs.	337 lbs.	352 lbs.	370 lbs.	445 lbs.	825 lbs.	905 lbs.
A Overall Length	57"	75.8"	87.9"	104.8"	104.8"	111.6"	111.6"	133"	133"
B Body Side Length	35"	53.2"	65.2"	82"	82"	89"	89"	110"	110"
C Overall Height	28.5"	25"	25"	32"	38.4"	41"	48.5"	48"	57"
Width	44"	39"	39"	49.25"	49.25"	50.75"	50.75"	52"	52"
Depth	49.70"	68.25"	80.25"	97"	97"	104"	104"	127"	127"
Spinner Motor	12 Volt, 1/3 HP	12 Volt, 1/3 HP	12 Volt, 1/3 HP	12 Volt, 1/3 HP	12 Volt, 1/3 HP	12 Volt, 1/3 HP	12 Volt, 1/3 HP	12 Volt, 1/3 HP	12 Volt, 1/3 HP
Auger Motor	12 Volt, 1/2 HP	12 Volt, 1/2 HP	12 Volt, 1/2 HP	12 Volt, 1/2 HP	12 Volt, 1/2 HP	12 Volt, 1/2 HP	12 Volt, 1/2 HP	12 Volt, .6 HP	12 Volt, .6 HP
Spinner	16" Diameter Poly Four Flute	16" Diameter Poly Four Flute	16" Diameter Poly Four Flute	16" Diameter Poly Four Flute	16" Diameter Poly Four Flute	16" Diameter Poly Four Flute	16" Diameter Poly Four Flute	16" Diameter Poly Four Flute	16" Diameter Poly Four Flute
Chute Easy On/Off*	16" Short Chute 29" Long Chute	16" Short Chute 29" Long Chute	16" Short Chute 29" Long Chute	16" Short Chute 29" Long Chute	16" Short Chute 29" Long Chute	16" Short Chute 29" Long Chute	16" Short Chute 29" Long Chute	16" Short Chute 29" Long Chute	16" Short Chute 29" Long Chute
Trough and Frame	Steel, E-Coat, Powder Coat	Steel, E-Coat, Powder Coat	Steel, E-Coat, Powder Coat	Steel, E-Coat, Powder Coat	Steel, E-Coat, Powder Coat	Steel, E-Coat, Powder Coat	Steel, E-Coat, Powder Coat	Steel, E-Coat, Powder Coat	Steel, E-Coat, Powder Coat
Vibrator	Standard	Standard	Standard	Standard	Standard	Standard	Standard	Standard	Standard
Second Vibrator	Optional	Optional	Optional	Standard	Standard	Standard	Standard	Standard	Standard
Stainless Steel Inverted Vee	Not Needed	Not Needed	Standard	Standard	Standard	Standard	Standard	Standard	Standard
Top Screen	Standard	Standard	Standard	Standard	Standard	Standard	Standard	Standard	Standard
Tie Down Brackets	Standard	Standard	Standard	Standard	Standard	Standard	Standard	Standard	Standard
Vinyl Tarp	Optional	Optional	Optional	Optional	Optional	Optional	Optional	Optional	Optional
Auxiliary Lights	Optional	Optional	Optional	Optional	Optional	Optional	Optional	Optional	Optional
Ratchet Straps	Optional	Optional	Optional	Optional	Optional	Optional	Optional	Optional	Optional
Control	RS Digital Control	RS Digital Control	RS Digital Control	RS Digital Control	RS Digital Control	RS Digital Control	RS Digital Control	RS Digital Control	RS Digital Control
Wetting System	N/A	Optional	Optional	Optional	Optional	Optional	Optional	Optional	Optional
Drop Spreader Hood	Optional	Optional	N/A	N/A	N/A	N/A	N/A	N/A	N/A
Recommended Use	UTV and Larger	UTV, Light Duty and Larger	1/2 Ton and Larger	3/4 Ton and Larger	1 Ton and Larger	1 Ton and Larger	1 Ton and Larger	Class 5 and 6	Class 6 and 7

* Choose a short or long chute for your RVB spreader (not included). Both long and short chute are approximately 30" wide.





ACCESSORIES designed to fit your spreader.

Engineered by Sno-Way for maximum performance and perfect fit, factory – original Sno-Way parts and accessories put your spreader into productivity overdrive. Sno-Way has the tools to help you get your job done fast.



ANTI-CORROSION COMPOUND

Sno-Way's non-conductive compound effectively seals against dirt and moisture and provides maximum protection to electrical switches and contacts. Sno-Way recommends liberal compound application to all exposed electrical components for extended wear life.



SPREADER AUXILIARY POWER HARNESS

Sno-Way's auxiliary power harness for the tailgate spreaders allows you to easily connect additional spreader accessories to the installed spreader harness on the vehicle without splicing wires. Fast and simple, this harness installs in seconds!



EXTENSION KIT RVB 2500 | RVB 3500

Hold more material. Make more money. Add an extension kit to your RVB2500 or 3500.

.5 cubic yard available for RVB2500
.8 cubic yard available for RVB3500



SNO-WAY SPREADER LIGHT KIT

(AVAILABLE FOR RVB'S AND TAILGATE SPREADERS)
Sno-Way's spreader light kits conveniently mount to your spreader and supply excellent illumination for increased visibility during early morning or night salting applications. Includes mount hardware and easy plug and go circuitry. Pictured RVB Spreader Light Kit.



2" NYLON RATCHET STRAP KIT

Safely secure your RVB spreader to the work truck with these 2"-wide nylon webbing ratchet straps. These straps have a working load limit of 3,000 pounds each. The minimum break strength rating is 3X the working load limit. Each kit includes four yellow straps. Recommended for use with Sno-Way RVB spreader models.



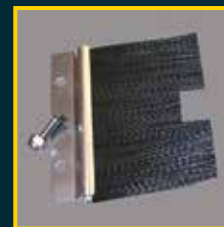
JAM RELEASE MECHANISM

(FOR USE UP TO AND INCLUDING THE RVB2500)
Jams can happen, even with the best spreaders. This device is a life saver keeping you from digging out the hopper. Simply insert this into the end of the Auger Shaft and the use of a simple ratchet wrench and you are back in business. For use on the RVB spreaders.



VIBRATOR MOTOR KIT

The vibrator motor easily bolts to Sno-Way's 4,6, or 9 Cu.-Ft. poly hoppers. The motor provides consistent agitation of spread material for superior flow to the receiver spreader spinner (pictured). Vibrator kit is also available for the RVB Series (not pictured).



RVB TRANSPORT BRUSH KIT

The Sno-Way transport brush kit stops fine materials such as calcium chloride from escaping out of the hopper during transport. The kit includes hardware for installing.

Move it
SNO-WAY®

Visit snoway.com for video, updates and so much more.

www.snoway.com

See how SNO-WAY® continues to lead Innovation.
More info, watch videos, find a dealer, contact us.



SNO-WAY®
SNOW & ICE CONTROL EQUIPMENT

www.snoway.com

SOLD AND SERVICED BY:

STANDARD LIMITED WARRANTIES

For complete warranty terms for products sold by Sno-Way, please refer to the limited warranty information that accompanies each product, visit www.snoway.com or contact your authorized Sno-Way Retailer.

LEGAL STATEMENT VEHICLES INTENDED TO BE EQUIPPED WITH A SNOW PLOW AND/OR SPREADER MUST BE IN COMPLIANCE WITH THE VEHICLE MANUFACTURERS' SPECIFICATIONS FOR EQUIPMENT APPLICATION. SNO-WAY INTERNATIONAL, INC. RESERVES THE RIGHT TO CHANGE PRODUCT DESIGN, CONSTRUCTION, MATERIALS AND SPECIFICATIONS WITHOUT NOTICE UNDER ITS ONGOING PRODUCT IMPROVEMENT PROGRAMS.

Sno-Way Snow and Ice Control Equipment are protected by numerous U.S. and foreign patents with other patents pending. All other trademarks and registered trademarks are the property of their respective owners.
© 2022 Sno-Way International, Inc. All rights reserved. Litho in USA. 05-22
P/N 97107053